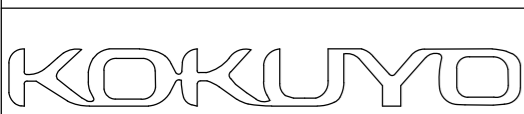
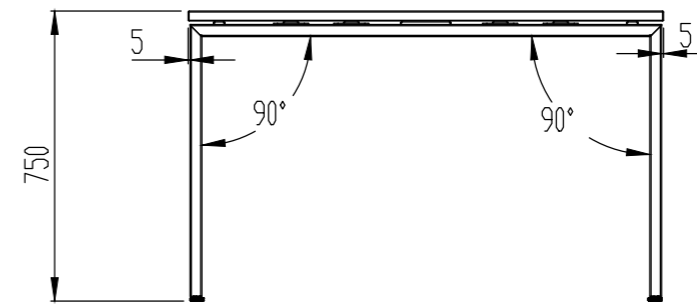
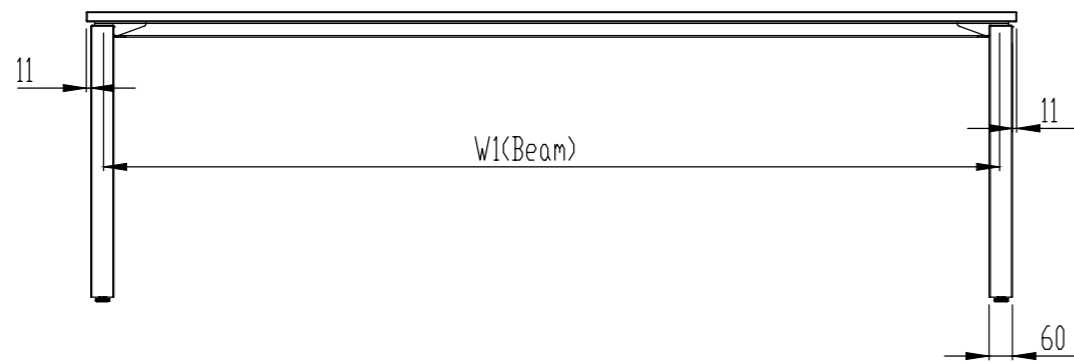
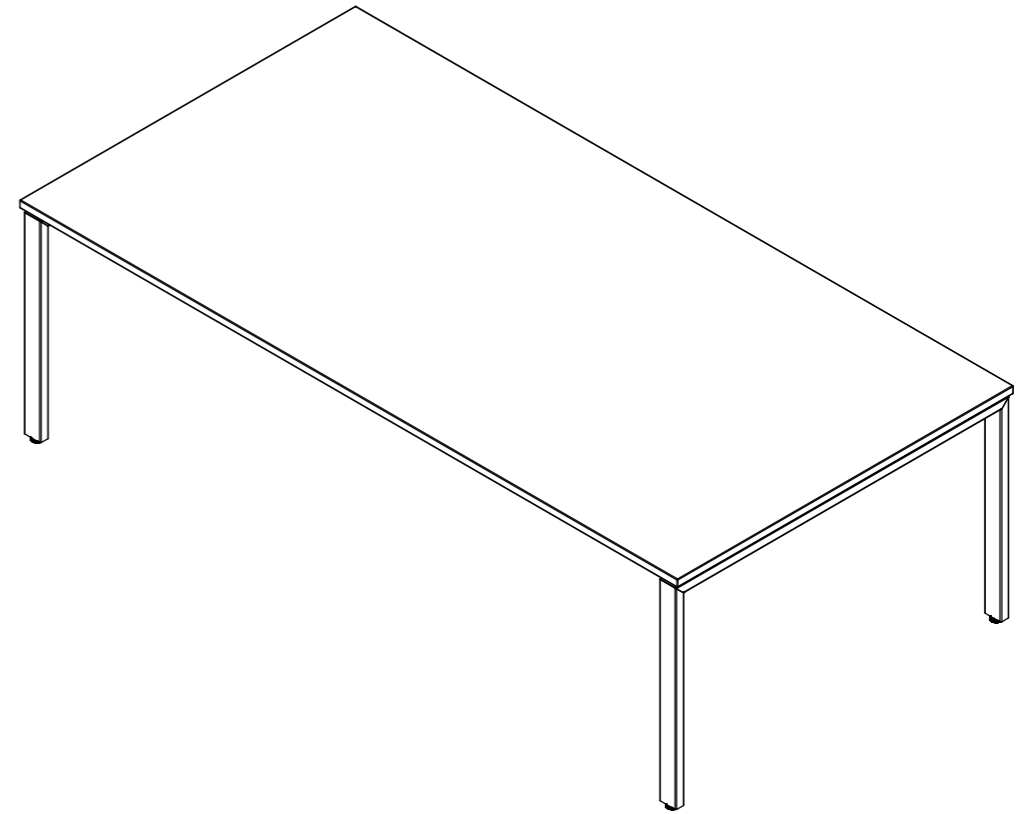
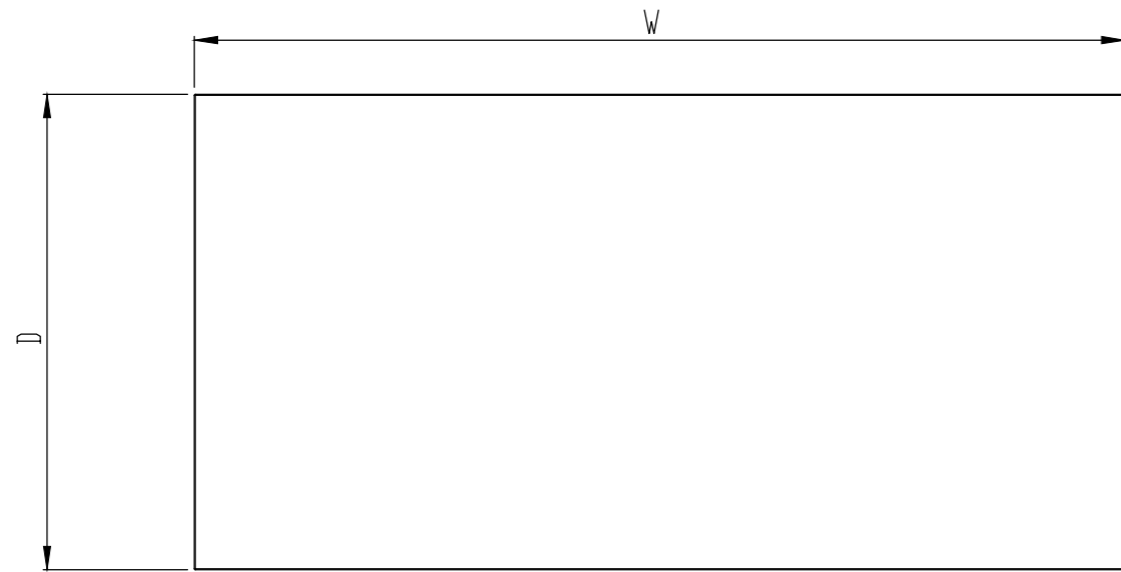


PART NO	WIDTH		DEPTH
	W	W1	D
DAH-CSC1890	1800	1712	900
DAH-CSC2490	2400	2312	1226

Effective Date : 22/10/2025	
Tolerance	± mm
0 - 5 mm	0.2
5 - 30 mm	0.3
30 - 100 mm	0.5
100 - 500 mm	0.7
500 mm Above	1
All thickness	10%



KOKUYO (M) SDN. BHD.
 Lot 79 & 83, Senawang Industrial Park
 70400 Seremban, NSDK, Malaysia
 Tel: 606-6796096 Fax: 606-6796086

Title : Avail Go Con Straight W**** D****
 Part No. : DAB-CS****
 Material :

Units : mm
 Tolerance :
 Scale (A3) : 1:20
 Drawn Date : 22/10/2025
 Drawing No. :
 KM/005-18-17-001-1SC

Revision	Check
1	
2	
3	
4	

Date
 Designed by : KMSB R&D
 Drawn by : Adlan
 Checked by : Yusuke Tanimoto